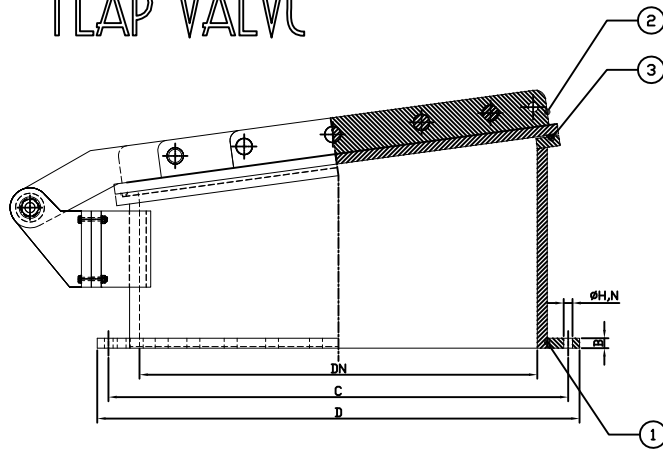
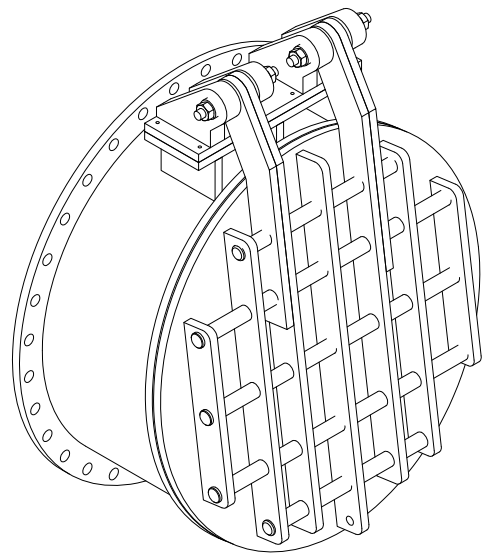
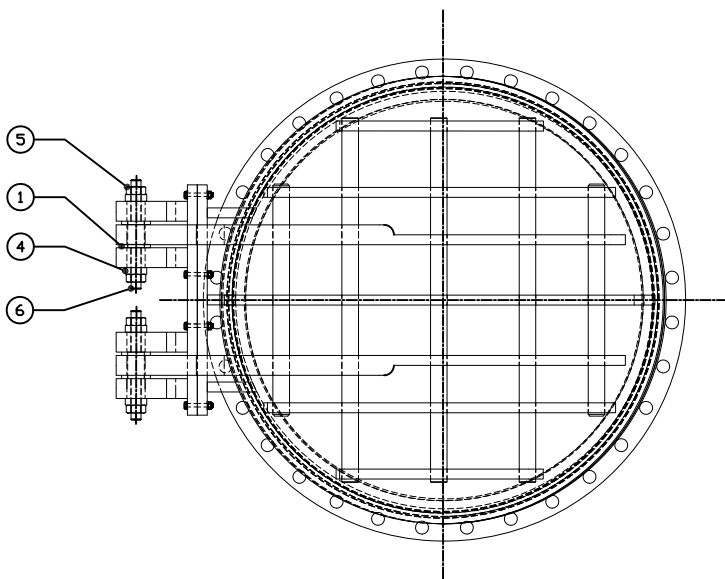


FLAP VALVE



Size	ØD	ØC	ØDN	ØH	N	B
700	895	840	700	30	24	30
1000	1230	1160	1000	36	28	30
1200	1455	1380	1200	39	32	30
1500	1785	1700	1500	43	36	30



No.	PART NAME	MATERIAAL	REFERENCE	Q'TY
1	BODY	POLYSTONE GBLACK HD UV	SCALE D	1
2	DISC	POLYSTONE GBLACK HD UV	SCALE D	1
3	SEAT RING	RUBBER EDPM		1
4	BUSHING	POLYSTONE GBLACK HD UV	SCALE D	4
5	HINGE PIN NUT	STAINLESS STEEL	A 276 TYPE 304	4
6	HINGE PIN	POLYSTONE GBLACK HD UV	SCALE D	2