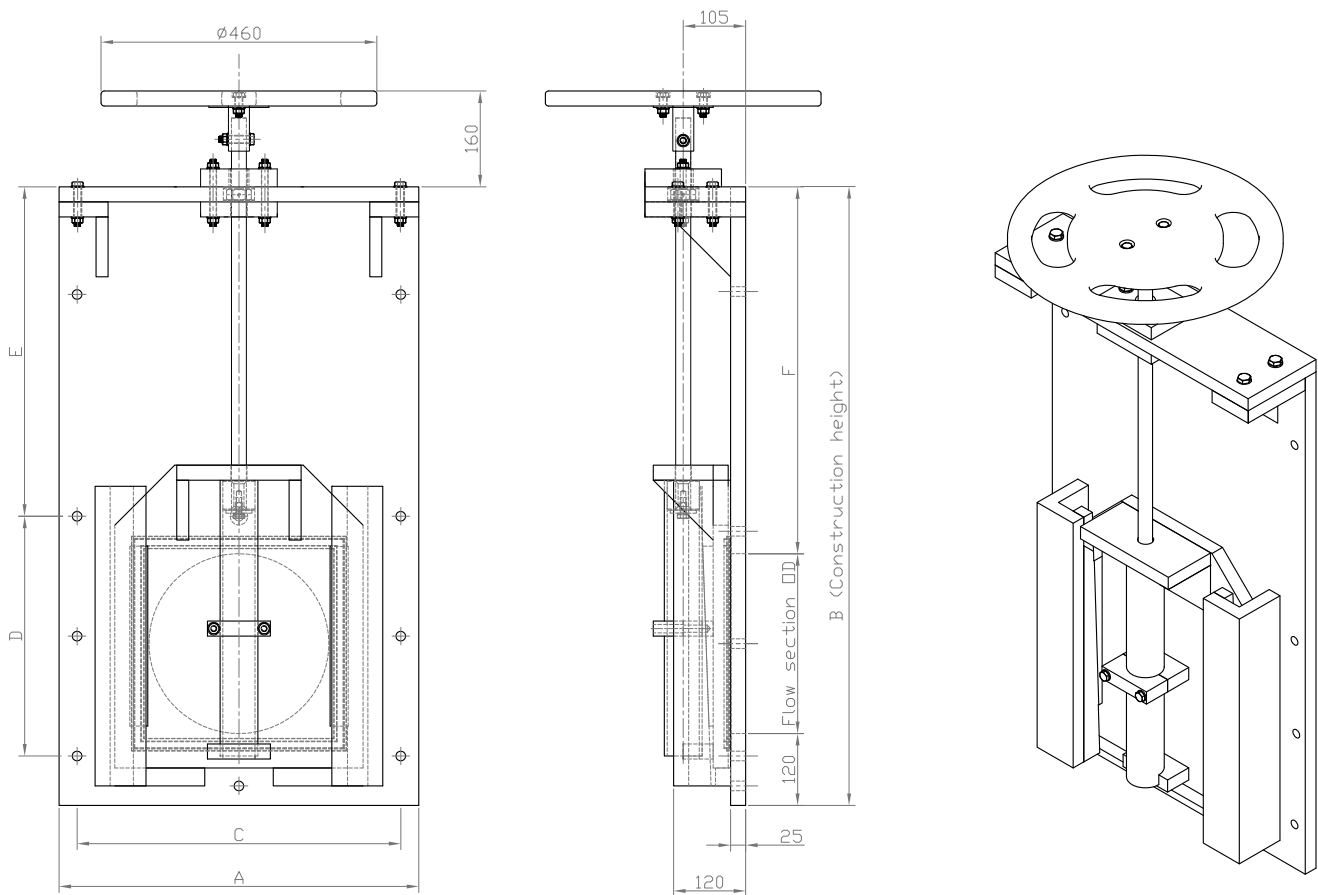


WATER FRONT STANDARD SERIES DN 300 DN 600



D	A	B	C	D	E	F
300	600	1030	540	400	370	610
400	750	1300	690	500	700	750
600	960	1750	900	750	600	990

STANDARD CONSTRUCTION MATERIALS

Frame : Polystone G black H

Slide gate : Polystone G black H

Reinforcement : Polystone G black H

Non-rising spindle : Stainless Steel AISI 304 TR25x7.5

Spindle bearing : Stainless Steel thrust bearing

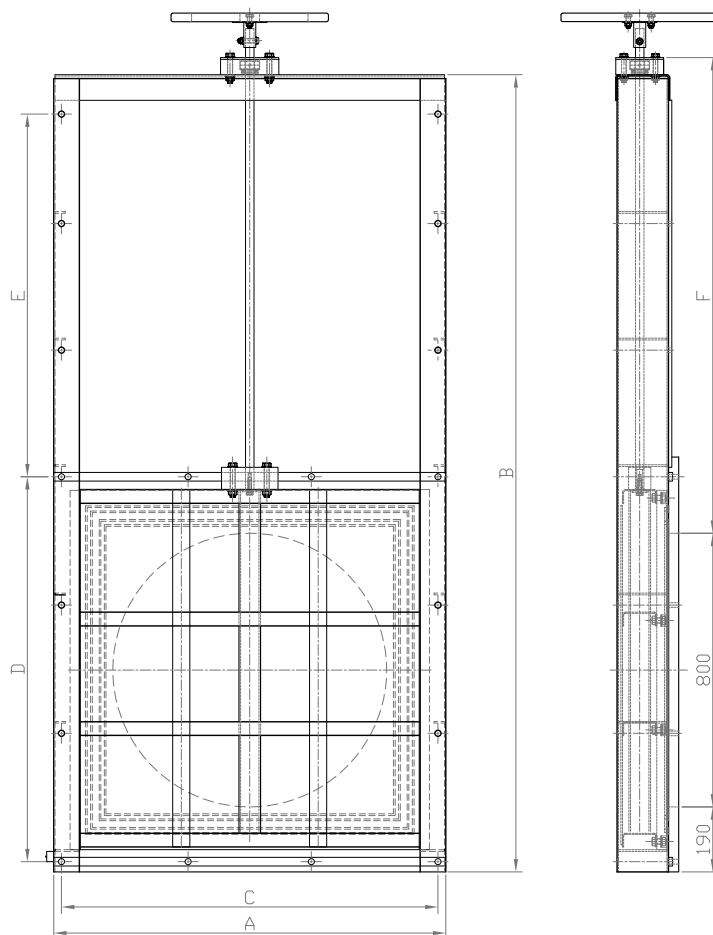
Door Nut : POM

Bolts and nuts : Stainless Steel

Sealing : EPDM

WATER FRONT

STANDARD SERIES DN 800 DN 1200



DN	A	B	C	D	E	F
800	1145	2330	1100	1125	1060	1390
1000	1355	2700	1310	1330	1165	1460
1200	1565	3050	1520	1550	1310	1660

STANDARD CONSTRUCTION MATERIALS

Frame : Polystone G black H

Slide gate : Polystone G black H

Reinforcement : Polystone G black H

Non-rising spindle : Stainless Steel AISI 304 TR25x7.5

Spindle bearing : Stainless Steel thrust bearing

Door Nut : Bronze

Bolts and nuts : Stainless Steel

Sealing : EPDM